

Project: _____

Fixture Type: _____

Location: _____

Contact/Phone: _____

The LRKT403H is 4 inch LED Retrofit Kit with Baffle. It is compatible with most of 4 inch standard recessed new construction and remodel housings. The Retrofit Kit comes with a E26 medium screw-base Edison adaptor for easy installation into standard incandescent sockets.

DESCRIPTION

- High Lumen version LED Retrofit
- Diecast aluminum heatsink dissipates heat from the LED board.
- 4 different colors for trim White, Black, Bronze, Satin Nickel.
- 3 Tension clips pre-installed on unit for easy installation.
- E26 medium screw-base Edison adaptor provides easy installation into Incandescent housings.
(GU10 and GU24 socket adaptor available - sold separately)

LED LIGHT ENGINE

- Protected LED driver performs at 120V.
- Dimming down to 10% with most dimmers.
- CCT 2700K, 3000K, 4000K, 5000K available
- CRI ≥80 or ≥90
- Long life LED chips guaranteed up to 50,000 hours.

WARRANTY

Guaranteed five years from the purchase date of the product, against mechanical defects in manufacturing.

LISTINGS

- cULus classified
- Energy star qualified
- Title 24 compliant
- Wet locations (Not suitable for coastal/salt water area)
- Damp locations
- RoHS compliances
- Tested in accordance with IESNA LM79 & LM80

PERFORMANCE DATA

Input Voltage	120V
Input Power	15W
Frequency	50 / 60Hz
C R I	90
T Ambient	-30°C - 40°C (-22°F - 104°F)
C C T	3000 K
Lumens	1020 lm

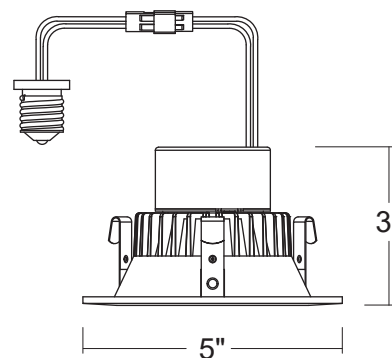
(all values at 25°C without a dimming control in circuit)

LRKT403H - High Lumen Version

4" LED Baffle Retrofit Kit



DIMENSIONS



PRODUCT CODES

Model NO.	Description
LRKT403W-H	4" LED Retrofit / Baffle / High Lumen Ver. / White
LRKT403B-H	4" LED Retrofit / Baffle / High Lumen Ver. / Black
LRKT403SN-H	4" LED Retrofit / Baffle / High Lumen Ver. / Satin Nickel
LRKT403BZ-H	4" LED Retrofit / Baffle / High Lumen Ver. / Bronze

List of Triac Dimmer Switch

Mfr	Model #	Dimming Rate
COOPER	DLC03P	10 - 100%
Leviton	1A1505 / 1C1605	10 - 100%
Leviton	6631 / 6633	10 - 100%
Lutron	CT-603PG / CT-600PR	10 - 100%
Lutron	DV-600PR / DV603PG	10 - 100%
Lutron	DVW-603PGH / DVCL-153P	10 - 100%
Lutron	MACL-153M / TGCL-153P	10 - 100%
Lutron	S-600PR / S-2-LH	10 - 100%